

Technical Information

Introduction

XPandaCabin is an insulated closed volume demountable accommodation container. Assembly of the cabin is simple, using nuts and bolts supplied. Its robust and strong construction is matched by its light weight making it easily man portable and easy to construct. XPandaCabin is available in 3 sizes and a range of accessories are available to add to its functionality.

Technical specification

EXTERNAL DIMENSIONS (excluding gutter)

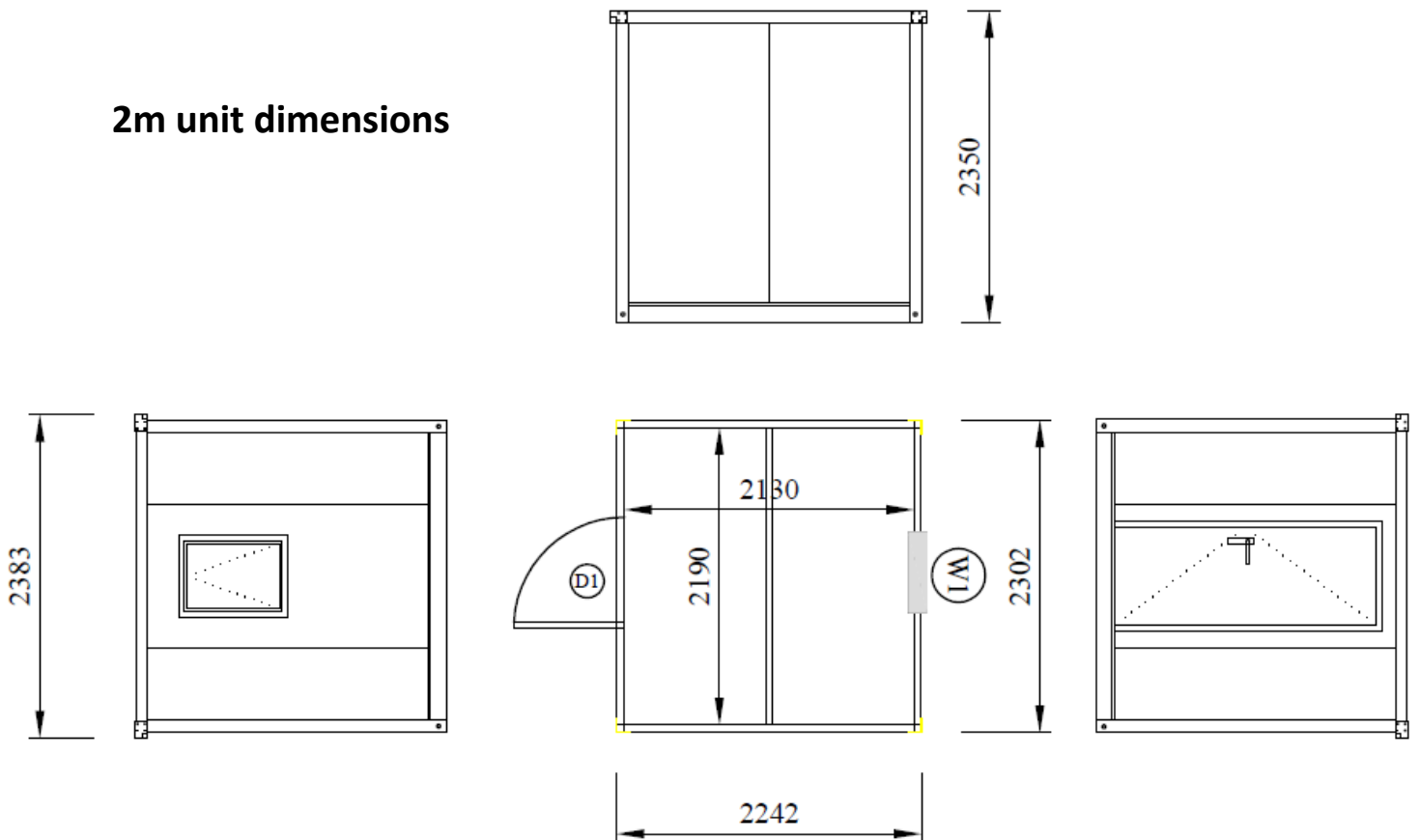
2242mm (L) x 2383mm (W). Weight: 650kg

3307mm (L) x 2302mm (W). Weight: 838kg

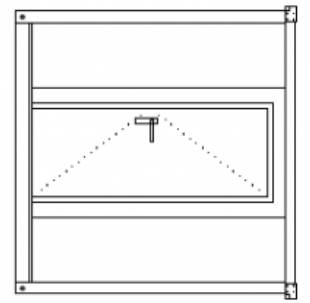
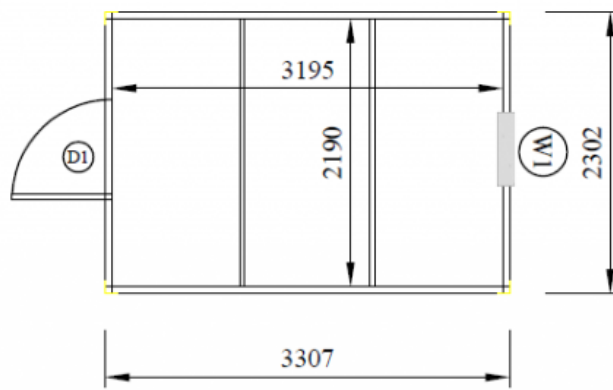
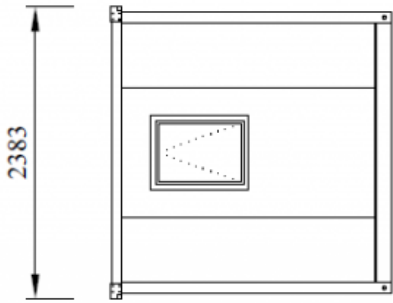
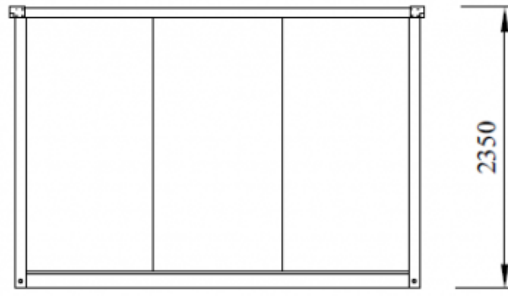
4372mm (L) x 2383mm (W). Weight: 920kg

External height 2350mm – Internal height 2103mm

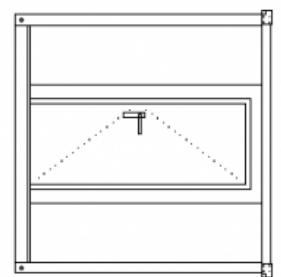
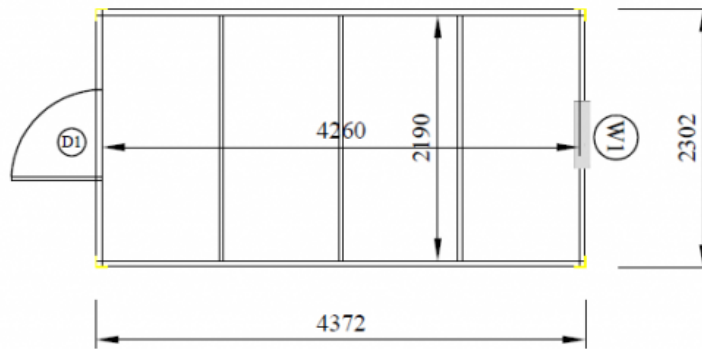
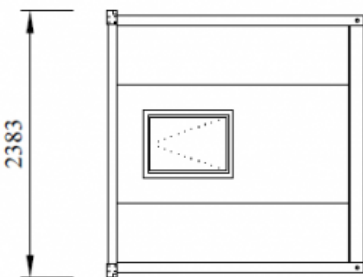
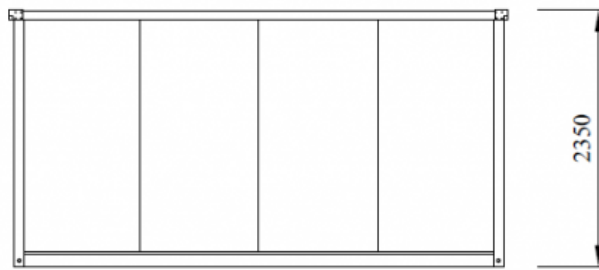
2m unit dimensions



3m unit dimensions



4m unit dimensions



Technical Details

Feature	EK2	EK3	EK4
External Finish	Electrostatic Powder Coated in RAL 6005 (Moss Green)	Electrostatic Powder Coated in RAL 6005 (Moss Green)	Electrostatic Powder Coated in RAL 6005 (Moss Green)
Internal Finish	Electrostatic Powder Coated in RAL 9002 (Off-White)	Electrostatic Powder Coated in RAL 9002 (Off-White)	Electrostatic Powder Coated in RAL 9002 (Off-White)
Length (mm)	2242	3307	4372
Width (mm)	2383	2383	2383
Height, flat packed (mm)	498	498	498
Height, assembled (mm)	2350	2350	2350
Weight (kg)	650	838	920

Construction components

The main construction elements of the man-portable building are as follows:

- Chassis with frame
- Side wall panels
- Roof panel
- Door panel
- Window panel
- Fastening elements

Weight

	2.3M UNIT	3.3M UNIT	4.3M UNIT
Chassis (complete)	168 KG	240 KG	312 KG
Chassis (per section)	66 KG	66 KG	66 KG
Blank Wall Panel	27 KG	27 KG	27 KG
Window Panel	52 KG	52 KG	52 KG
Door Panel	65 KG	65 KG	65 KG
Inner Blank Roof Panel	27 KG	27KG	27 KG
Outer Roof Panel	55 KG	74 KG	93 KG

Walls

- Vacuum bonded sandwich panels. Insulation – 50mm polystyrene.
- Outer surface – 0.60mm galvanized steel electrostatic powder coated in RAL 6005 (Moss Green).
- Inner surface – 0.60mm galvanized steel electrostatic powder coated in RAL 9002 (Off-White).

Roof

Exterior covering – 0.60mm powder coated box profile galvanized steel with two gutters for effective rainwater disposal to all four corners.

- Interior – vacuum bonded sandwich panels. Insulation – 50mm polystyrene.
- Inner surface – 0.60mm galvanized steel powder coated in RAL 9002 (Off-White).
- Snow loading – 75kg/m² evenly distributed.

Chassis / Frame

Box profile, hot dipped galvanized steel Corner columns – 1.5mm cold formed DKP steel. Supplied with 4 lifting eyes. All surfaces are powder coated in RAL 6005 (Moss Green).

Floor Construction – 18mm OSB board covered with 2mm PVC linoleum (flash point B1 difficult to burn, smoke density Q1). Floor section has no insulation. Floor loading – 150kg/m² evenly distributed.

Door

- Frame – cold formed powder coated galvanized steel sheet min 1.25mm.
- Outer Door – both surfaces powder coated (External – Moss Green, internal – Off-White) galvanized flat steel sheet.
- 0.60mm thick, complete with door handle and replaceable euro cylinder lock.

Window

- Frames – cold formed powder coated galvanized steel sheet 1.25mm thick.
- Window – uPVC double glazed window frame with vacuum sealed unit. (4+9+4).
- Size – 805mm x 1135mm.
- Type – vertically inward opening mechanism with single handle and lock.

Electrical Equipment

No electrical wiring and equipment fitted. The unit is designed to have a surface mounted electrical installation.

- Optional electrical kit pack available.

Additional Information

Doors and windows can be fitted anywhere in the man-portable building.

Note: Due to our continuous product development programme, we reserve the right to change the specifications without prior notice. XPandaCabin is not designed to comply with Building Regulations approval.